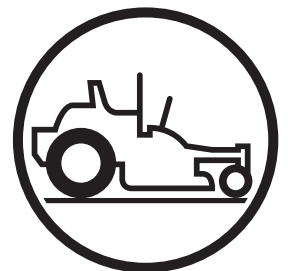




Parts Manual

RZ4619 CA / 966503401

Please read the operator's manual carefully and make sure you understand the instructions before using the machine.



English

When you need spare parts or support in service questions, warranty issues, etc., please consult the following professional:

| | | |
|---|--------|--------------|
| | | |
| This Parts Manual belongs to the machine with the manufacturing number: | Engine | Transmission |

Manufacturing Number

The machine's manufacturing number can be found on the printed plate affixed to the engine compartment.

Stated on the plate, from the top are:

- The machine's type designation (I.D.).
- The manufacturer's type number (Model).
- The machine's serial number (Serial no.)

Please have the type designation and serial number available when ordering spare parts.

The engine's manufacturing number is stamped on one of the valve covers.

The plate states:

- The engine's model.
- The engine's type.
- Code

Please have these available when ordering spare parts.

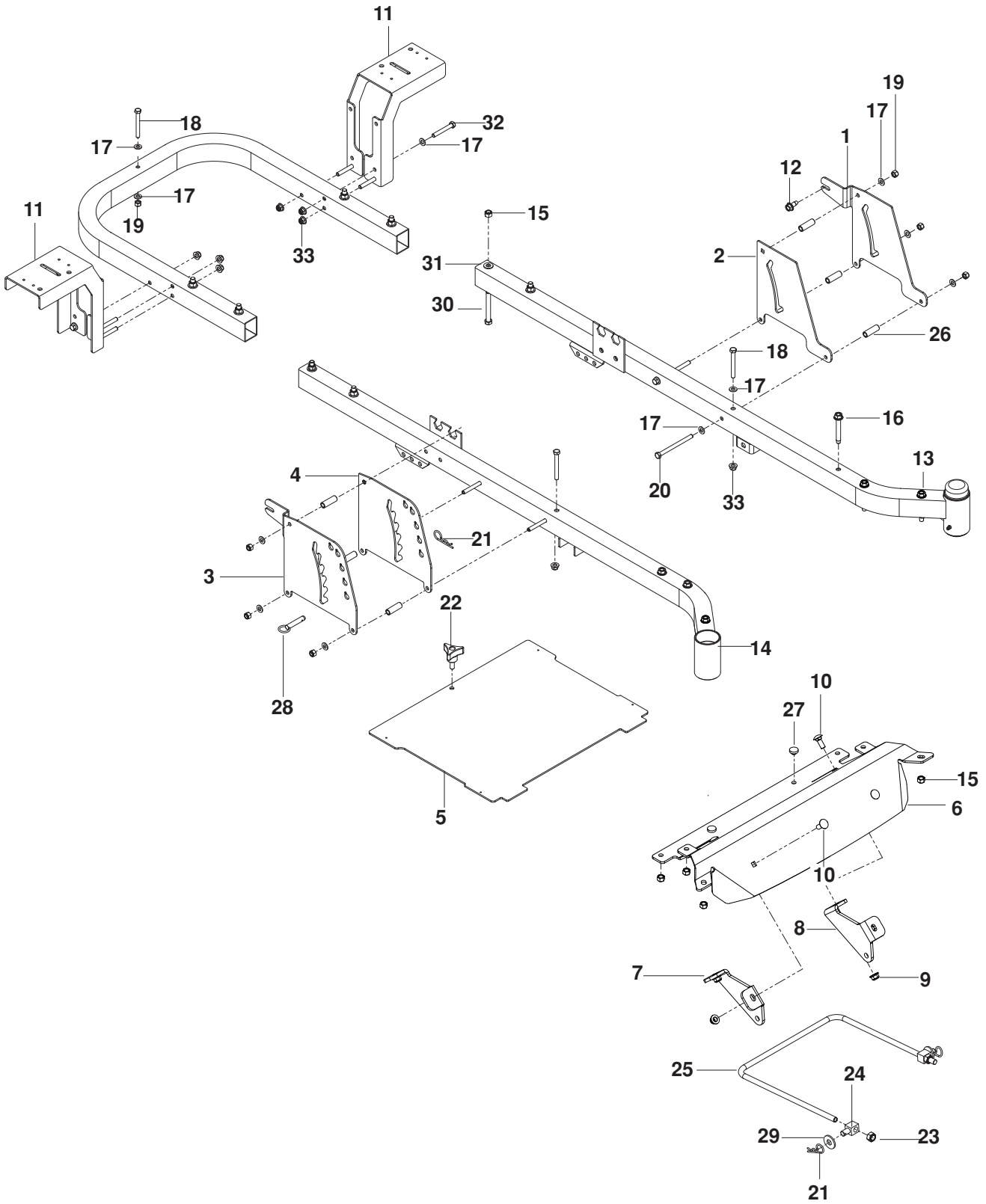
The wheel motors and hydrostatic pumps have a barcode decal affixed at the rear.

CONTENTS

| | | | |
|-------------------|----|--------------------------------|----|
| FRAME..... | 4 | HYDRAULIC PUMP- MOTOR..... | 14 |
| ENGINE PLATE..... | 6 | WHEELS AND TIRES..... | 16 |
| STEERING..... | 8 | MOWER DECK / CUTTING DECK..... | 18 |
| IGNITION..... | 10 | SEAT..... | 20 |
| BRAKE / LIFT..... | 12 | DECALS..... | 22 |

NOTE: ALL FASTENERS ARE GRADE 5 UNLESS OTHERWISE SPECIFIED.

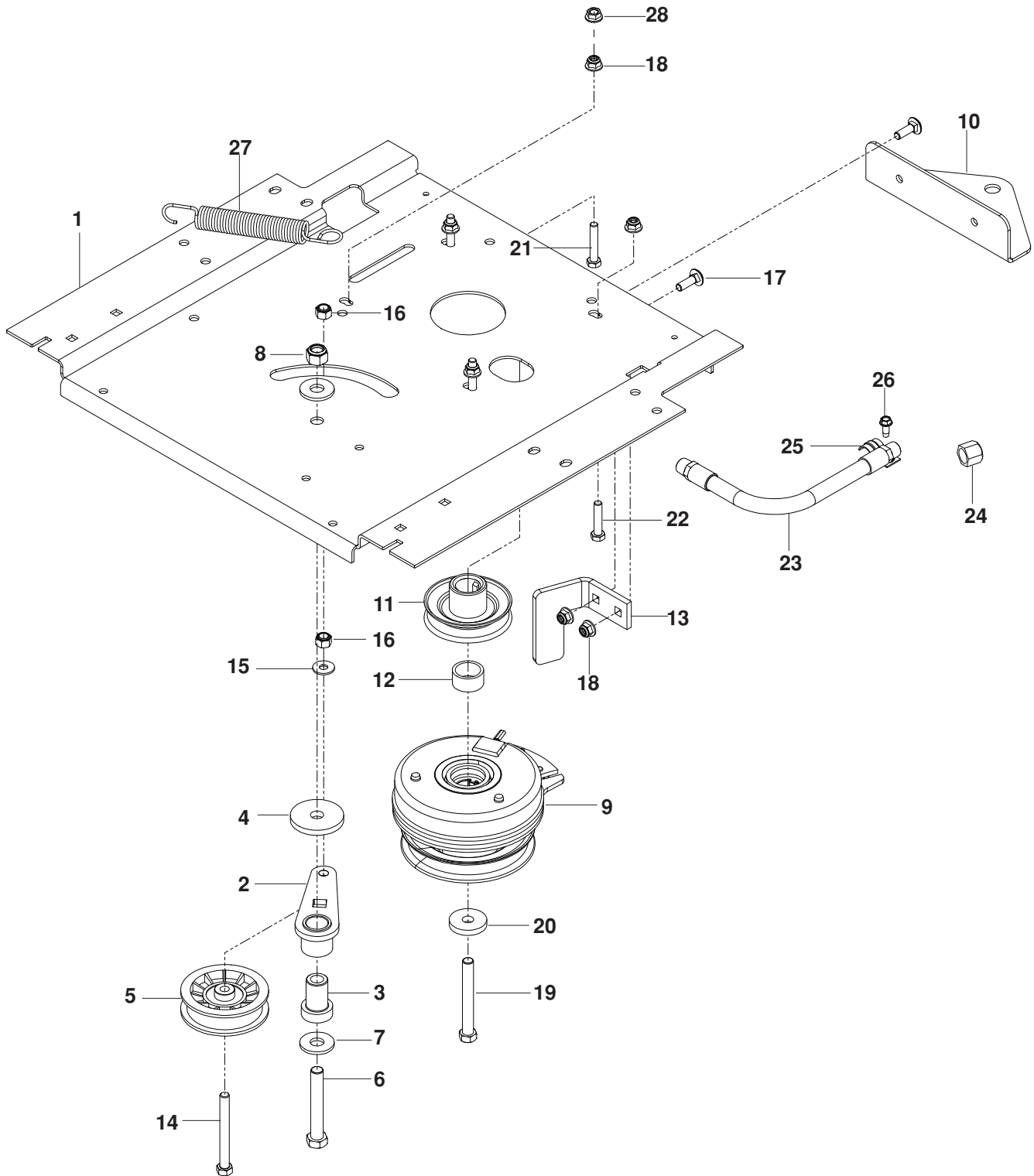
FRAME



FRAME

| ITEM | PART NO. | QTY. | DESCRIPTION | ITEM | PART NO. | QTY. | DESCRIPTION |
|------|----------------|--------|---|------|----------------|--------|--|
| 1.. | 521 984902.... | 1.... | PLATE, OUTER BRAKE BLK | 18.. | 539 101721.... | 3.... | HCS $\frac{5}{16}$ -18 x $2\frac{3}{4}$ |
| 2.. | 510 206703.... | 1.... | PLATE, BRAKE LATCH BLK | 19.. | 539 990717.. | 11.... | NUT $\frac{5}{16}$ -18 HEX NYLOC |
| 3.. | 521 985102.... | 1.... | PLATE, LIFT OUTER BLK | 20.. | 539 102335.... | 4.... | HCS $\frac{5}{16}$ -18 x 4 |
| 4.. | 510 240502.... | 1.... | PLATE, LIFT INNER BLK | 21.. | 539 976989.... | 3.... | HAIRPIN |
| 5.. | 522 842902.... | 1.... | FOOT PLATE w/DECALS | 22.. | 539 104411.... | 1.... | KNOB w/ STUD |
| 6.. | 522 719504.... | 1.... | FOOT REST ORG | 23.. | 539 119124.... | 2.... | NUT $\frac{7}{16}$ -14 HEX NYLOC |
| 7.. | 522 443302.... | 1.... | MOUNT, STRUT RT BLK | 24.. | 539 114789.... | 2.... | SWIVEL |
| 8.. | 522 443304.... | 1.... | MOUNT, STRUT LT BLK | 25.. | 521 938101.... | 1.... | LINK, FRONT SUSPENSION |
| 9.. | 521 996501.... | 4.... | NUT $\frac{3}{8}$ -16 HEX FLG NYLOC | 26.. | 515 988101.... | 6.... | SPACER $\frac{1}{2}$ OD x $1\frac{1}{2}$ |
| 10.. | 539 990645.... | 4.... | RHSNB $\frac{3}{8}$ -16 x 1 | 27.. | 539 102587.... | 2.... | GROMMET, BUMPER |
| 11.. | 510 225902.... | 2.... | SUPPORT, FENDER BLK | 28.. | 539 102526.... | 1.... | LIFT PIN |
| 12.. | 539 107475.... | 2.... | BOLT $\frac{5}{16}$ -18 x $\frac{3}{4}$ THD FRM | 29.. | 539 109554.... | 2.... | WASHER $\frac{1}{2}$ FLT |
| 13.. | 510 177503.... | 1.... | FRAME, FRONT RT ORG | 30.. | 539 101341.... | 8.... | HCS $\frac{3}{8}$ -16 x 3 |
| 14.. | 510 177403.... | 1.... | FRAME, FRONT LT ORG | 31.. | 539 990122.... | 8.... | WASHER $\frac{3}{8}$ SAE FLT |
| 15.. | 539 976979.. | 14.... | NUT $\frac{3}{8}$ -16 HEX NYLOC | 32.. | 539 976938.... | 6.... | HCS $\frac{5}{16}$ -18 x $2\frac{1}{4}$ |
| 16.. | 539 111976.... | 6.... | BOLT $\frac{3}{8}$ -16 x $2\frac{5}{8}$ THD FRM | 33.. | 539 112899.. | 12.... | NUT $\frac{5}{16}$ -18 FLANGE NYLOC |
| 17.. | 539 990188.. | 25.... | WASHER $\frac{5}{16}$ SAE FLT | | | | |

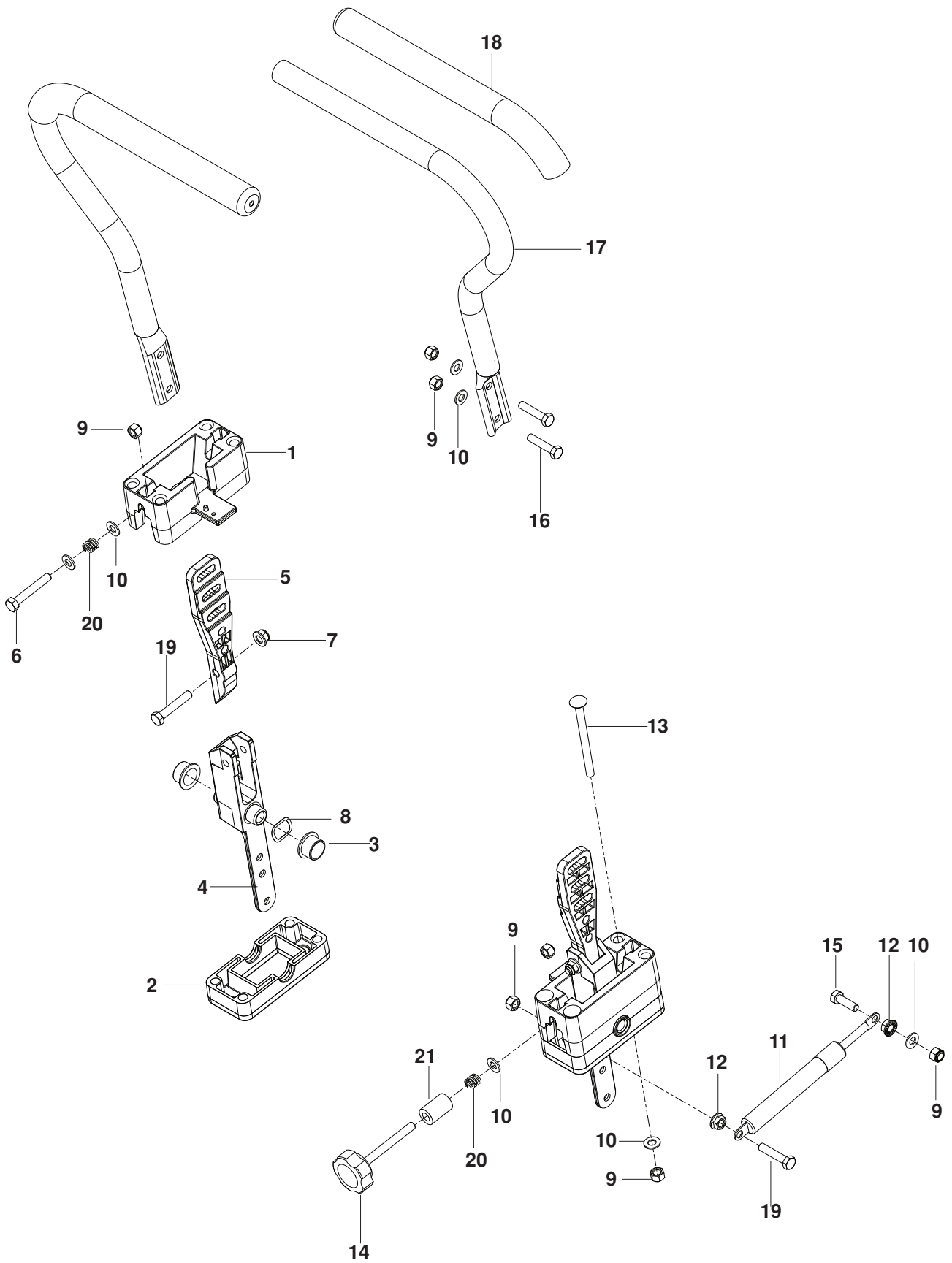
ENGINE PLATE



ENGINE PLATE

| ITEM | PART NO. | QTY. | DESCRIPTION | ITEM | PART NO. | QTY. | DESCRIPTION |
|------|----------------|-------|--|------|----------------|-------|---|
| 1.. | 575 327002.... | 1.... | PLATE, ENGINE BLK | 15.. | 539 990692.... | 2.... | WASHER $\frac{5}{16}$ STD FLT |
| 2.. | 539 112092.... | 1.... | ARM, IDLER | 16.. | 539 976979.... | 2.... | NUT $\frac{3}{8}$ -16 HEX NYLOC |
| 3.. | 539 101231.... | 1.... | SPINDLE, IDLER | 17.. | 539 990208.... | 2.... | RHSNB $\frac{5}{16}$ -18 x 1 |
| 4.. | 539 112670.... | 1.... | WASHER, HEAVY | 18.. | 539 112899.... | 6.... | NUT $\frac{5}{16}$ -18 FLANGE NYLOC |
| 5.. | 539 110311.... | 1.... | PULLEY, IDLER | 19.. | 539 976944.... | 1.... | HCS $\frac{7}{16}$ -20 x $3\frac{1}{2}$ |
| 6.. | 539 103433.... | 1.... | HCS $\frac{1}{2}$ -13 x $3\frac{1}{4}$ | 20.. | 539 110064.... | 1.... | WASHER, CLUTCH |
| 7.. | 539 109554.... | 2.... | WASHER $\frac{1}{2}$ FLT | 21.. | 539 990669.... | 1.... | HCS $\frac{5}{16}$ -18 x $1\frac{3}{4}$ |
| 8.. | 539 101331.... | 1.... | NUT $\frac{1}{2}$ -13 HEX NYLOC | 22.. | 539 976935.... | 3.... | HCS $\frac{5}{16}$ -18 x $1\frac{1}{2}$ |
| 9.. | 505 287301.... | 1.... | CLUTCH, 105 FT-LBS | 23.. | 539 101362.... | 1.... | HOSE, DRAIN |
| 10.. | 516 011802.... | 1.... | HITCH, BLK | 24.. | 539 101364.... | 1.... | PLUG, OIL |
| 11.. | 539 114530.... | 1.... | PULLEY, ENGINE | 25.. | 539 101363.... | 1.... | CLAMP |
| 12.. | 539 112252.... | 1.... | SPACER | 26.. | 539 990362.... | 1.... | SCREW $\frac{1}{4}$ -20 x $\frac{5}{8}$ SLF TAP |
| 13.. | 510 246002.... | 1.... | STOP, CLUTCH BLK | 27.. | 532 196105.... | 1.... | SPRING, DECK DRIVE |
| 14.. | 539 109389.... | 1.... | HCS $\frac{3}{8}$ -16 x $3\frac{1}{2}$ | 28.. | 539 990585.... | 1.... | NUT $\frac{5}{16}$ -18 HEX WHIZLK |

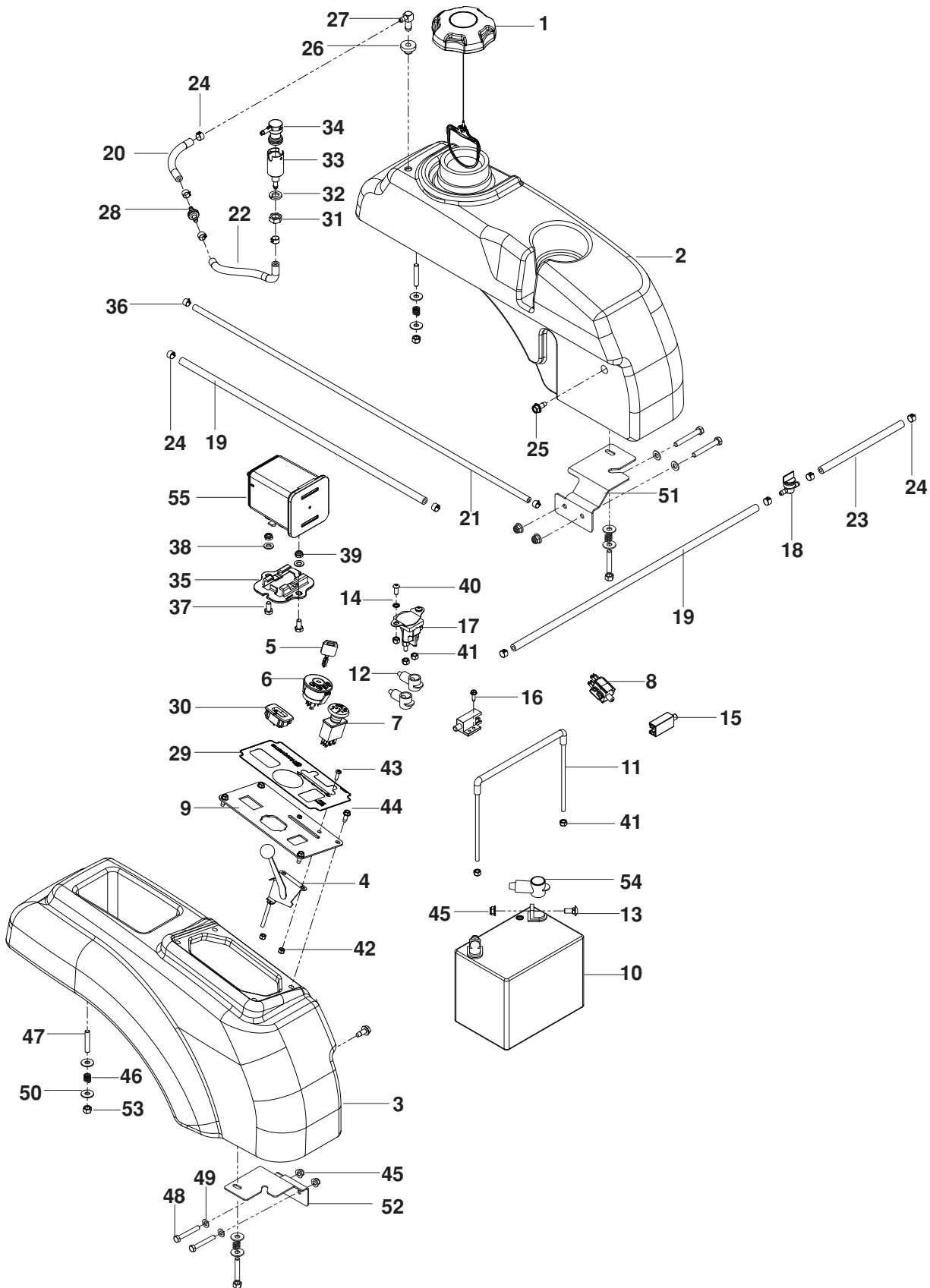
STEERING



STEERING

| ITEM | PART NO. | QTY. | DESCRIPTION | ITEM | PART NO. | QTY. | DESCRIPTION |
|------|----------------|--------|---|------|----------------|-------|---|
| 1.. | 539 131517.... | 2.... | BLOCK, UPPER | 12.. | 539 990585.... | 4.... | NUT ⁵ / ₁₆ -18 HEX WHIZLK |
| 2.. | 539 131519.... | 2.... | BLOCK, LOWER | 13.. | 510 422601.... | 6.... | RHSNB ⁵ / ₁₆ -18 x 4 |
| 3.. | 539 131518.... | 4.... | BEARING, FLANGE | 14.. | 521 982601.... | 1.... | KNOB |
| 4.. | 522 452901.... | 2.... | PIVOT SECTION, DRIVE | 15.. | 539 990209.... | 2.... | HCS ⁵ / ₁₆ -18 x 1 |
| 5.. | 539 131521.... | 2.... | MOUNT, DRIVE CONTROL | 16.. | 539 976935.... | 4.... | HCS ⁵ / ₁₆ -18 x 1½ |
| 6.. | 539 108395.... | 2.... | HCS ⁵ / ₁₆ -18 x 2 | 17.. | 522 524303.... | 2.... | LEVER, w/ GRIP |
| 7.. | 539 112899.... | 2.... | NUT ⁵ / ₁₆ -18 FLANGE NYLOC | 18.. | 539 122635.... | 2.... | GRIP, FOAM |
| 8.. | 539 133007.... | 2.... | WASHER, WAVE | 19.. | 539 990669.... | 4.... | HCS ⁵ / ₁₆ -18 x 1¾ |
| 9.. | 539 990717.. | 16.... | NUT ⁵ / ₁₆ -18 HEX NYLOC | 20.. | 539 102845.... | 2.... | SPRING |
| 10.. | 539 990188.. | 15.... | WASHER ⁵ / ₁₆ SAE FLT | 21.. | 539 103543.... | 1.... | SPACER |
| 11.. | 539 102720.... | 2.... | DAMPENER | | | | |

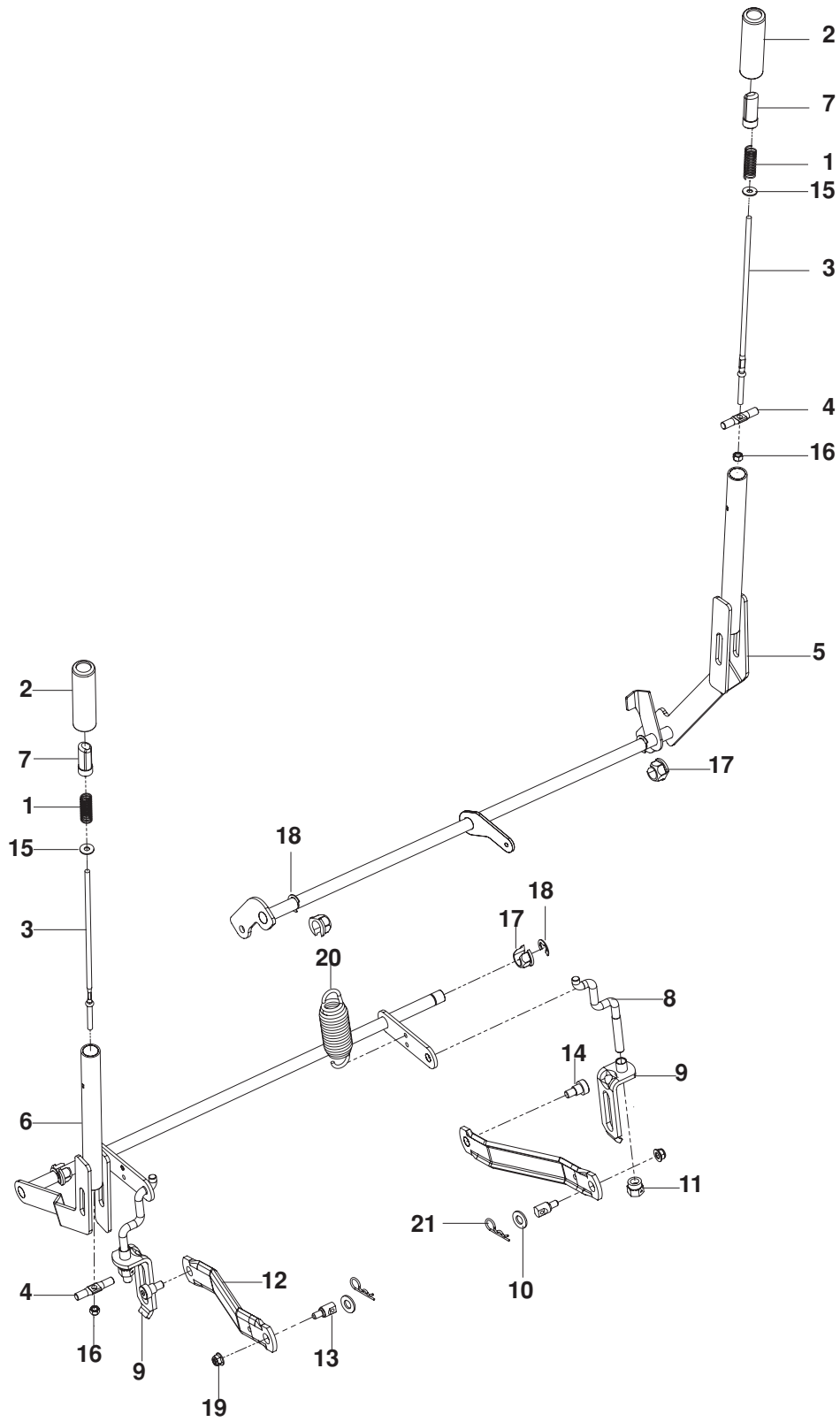
IGNITION



IGNITION

| ITEM | PART NO. | QTY. | DESCRIPTION | ITEM | PART NO. | QTY. | DESCRIPTION |
|------|----------------|--------|----------------------------|----------------|----------------|------------------------|----------------------------|
| 1.. | 575 018101.... | 1.... | CAP, FUEL | 31.. | 539 990625.... | 1.... | NUT 1/2-13 HEX JAM |
| 2.. | 575 320701.... | 1.... | TANK ASSY, LT | 32.. | 539 990254.... | 1.... | WASHER 1/2 SLW |
| 3.. | 574 826301.... | 1.... | CONSOLE, RT | 33.. | 575 296801.... | 1.... | BODY, ROLLOVER VALVE |
| 4.. | 539 102732.... | 1.... | CABLE, THROTTLE | 34.. | 532 414127.... | 1.... | VALVE, ROLLOVER |
| 5.. | 539 107544.... | 1.... | KEY, IGNITION | 35.. | 575 242701.... | 1.... | BRACKET, CANISTER |
| 6.. | 539 107541.... | 1.... | SWITCH, IGNITION | 36.. | 575 436501.... | 2.... | CLAMP, HOSE |
| 7.. | 539 101768.... | 1.... | SWITCH, CLUTCH | 37.. | 539 108392.... | 2.... | HCS 5/16-18 x 5/8 |
| 8.. | 539 113792.... | 1.... | SWITCH, BRAKE | 38.. | 539 990188.... | 2.... | WASHER 5/16 SAE FLAT |
| 9.. | 575 494002.... | 1.... | PANEL, CONTROL | 39.. | 539 115617.... | 2.... | NUT 5/16-18 HEX NYL INSERT |
| 10.. | 539 102436.... | 1.... | BATTERY | 40.. | 539 111229.... | 2.... | SCREW 1/4-20 x 5/8 BTN SKT |
| 11.. | 539 131209.... | 1.... | TIE DOWN, BATTERY | 41.. | 539 976978.... | 6.... | NUT 1/4-20 HEX NYLOC |
| 12.. | 539 116400.... | 3.... | TERMINAL COVER | 42.. | 539 976977.... | 2.... | NUT 10-24 HEX NYLOC |
| 13.. | 539 990316.... | 2.... | RHSNB 5/16-18 x 3/4 | 43.. | 539 976952.... | 2.... | SCREW 10-24 x 5/8 MACHINE |
| 14.. | 539 990053.... | 2.... | WASHER 1/4 ITLW | 44.. | 539 990362.... | 4.... | SCREW 1/4-20 x 5/8 SLF TAP |
| 15.. | 539 101080.... | 2.... | SWITCH, NC | 45.. | 539 112899.... | 6.... | NUT 5/16-18 FLANGE NYLOC |
| 16.. | 539 991034.... | 2.... | SCREW 10-24 x 5/8 WSH HD | 46.. | 539 102845.... | 4.... | SPRING |
| 17.. | 539 101714.... | 1.... | SOLENOID | 47.. | 539 102502.... | 4.... | STUD 5/16 |
| 18.. | 539 916325.... | 1.... | FUEL VALVE | 48.. | 539 976938.... | 4.... | HCS 5/16-18 x 2 1/4 |
| 19.. | 539 110424.... | 2.... | FUEL LINE 24" | 49.. | 539 990188.... | 4.... | WASHER 5/16 SAE FLT |
| 20.. | 539 110425.... | 1.... | FUEL LINE 5" | 50.. | 539 990692.... | 8.... | WASHER 5/16 STD FLT |
| 21.. | 575 437802.... | 1.... | FUEL LINE 33" | 51.. | 522 629404.... | 1.... | SUPPORT, TANK LT BLK |
| 22.. | 575 438501.... | 1.... | FUEL LINE 7" | 52.. | 522 629402.... | 1.... | SUPPORT, TANK RT BLK |
| 23.. | 539 115736.... | 1.... | FUEL LINE 8" | 53.. | 539 990717.... | 4.... | NUT 5/16-18 HEX NYLOC |
| 24.. | 539 912222.. | 10.... | HOSE CLAMP | 54.. | 539 102759.... | 1.... | INSULATOR |
| 25.. | 539 107475.... | 2.... | BOLT 5/16-18 x 3/4 THD FRM | 55.. | 532 414114.... | 1.... | CANISTER, CARBON |
| 26.. | 539 105245.... | 1.... | GROMMET, RUBBER | NOT SHOWN | | | |
| 27.. | 539 105244.... | 1.... | ELBOW | 539 103306 ... | 2.... | POSITIVE CABLE, LONG | |
| 28.. | 575 017801.... | 1.... | VALVE, ANTI-SLOSH | 539 110068 ... | 1.... | BATTERY CABLE NEGATIVE | |
| 29.. | 575 494101.... | 1.... | DECAL, CONTROL PANEL | 515 980501 ... | 1.... | HARNESS, WIRING | |
| 30.. | 539 110074.... | 1.... | HOUR METER | 505 280001 ... | 4.... | TIE, WIRE | |

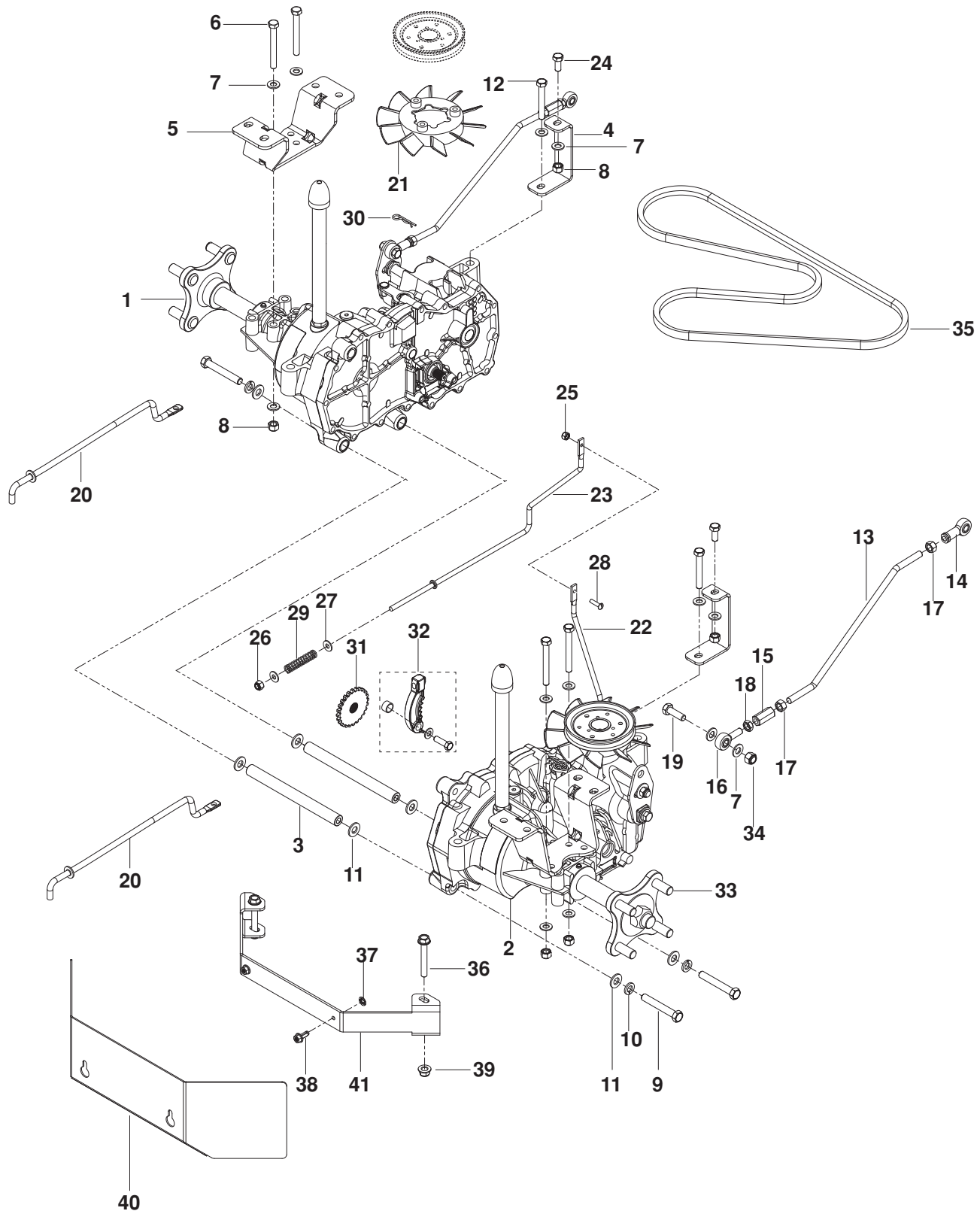
BRAKE / LIFT



BRAKE / LIFT

| ITEM | PART NO. | QTY. | DESCRIPTION | ITEM | PART NO. | QTY. | DESCRIPTION |
|------|----------------|-------|------------------------------|------|----------------|-------|---|
| 1.. | 510 030701.... | 2.... | SPRING, COMPRESSION | 12.. | 532 195185.... | 2.... | ARM, SUSPENSION RR |
| 2.. | 510 207201.... | 2.... | GRIP, HANDLE BLK | 13.. | 532 195161.... | 2.... | STUD w/ANTI- ROTATE |
| 3.. | 510 422901.... | 2.... | ROD, HANDLE RELEASE | 14.. | 539 113621.... | 2.... | BOLT $\frac{3}{8}$ -16 x $\frac{3}{8}$ SKT HD |
| 4.. | 516 008801.... | 2.... | ROD, LATCH RELEASE | 15.. | 539 990598.... | 4.... | WASHER $\frac{1}{4}$ FLT |
| 5.. | 522 710804.... | 1.... | SHAFT, BRAKE BLK | 16.. | 539 976978.... | 2.... | NUT $\frac{1}{4}$ -20 HEX NYLOC |
| 6.. | 574 216604.... | 2.... | ARM, LIFTING | 17.. | 510 184901.... | 4.... | NUT |
| 7.. | 510 207301.... | 2.... | BUTTON, PUSH BLK | 18.. | 539 105069.... | 3.... | E-RING |
| 8.. | 525 847201.... | 2.... | LINK, REAR SUSPENSION | 19.. | 539 112899.... | 2.... | NUT $\frac{5}{16}$ -18 FLANGE NYLOC |
| 9.. | 522 858601.... | 2.... | BRACKET, LIFT | 20.. | 539 118762.... | 2.... | SPRING |
| 10.. | 539 976982.... | 2.... | WASHER $\frac{5}{8}$ SAE FLT | 21.. | 539 976989.... | 2.... | HAIRPIN |
| 11.. | 532 175994.... | 2.... | NUT, LIFT LINK | | | | |

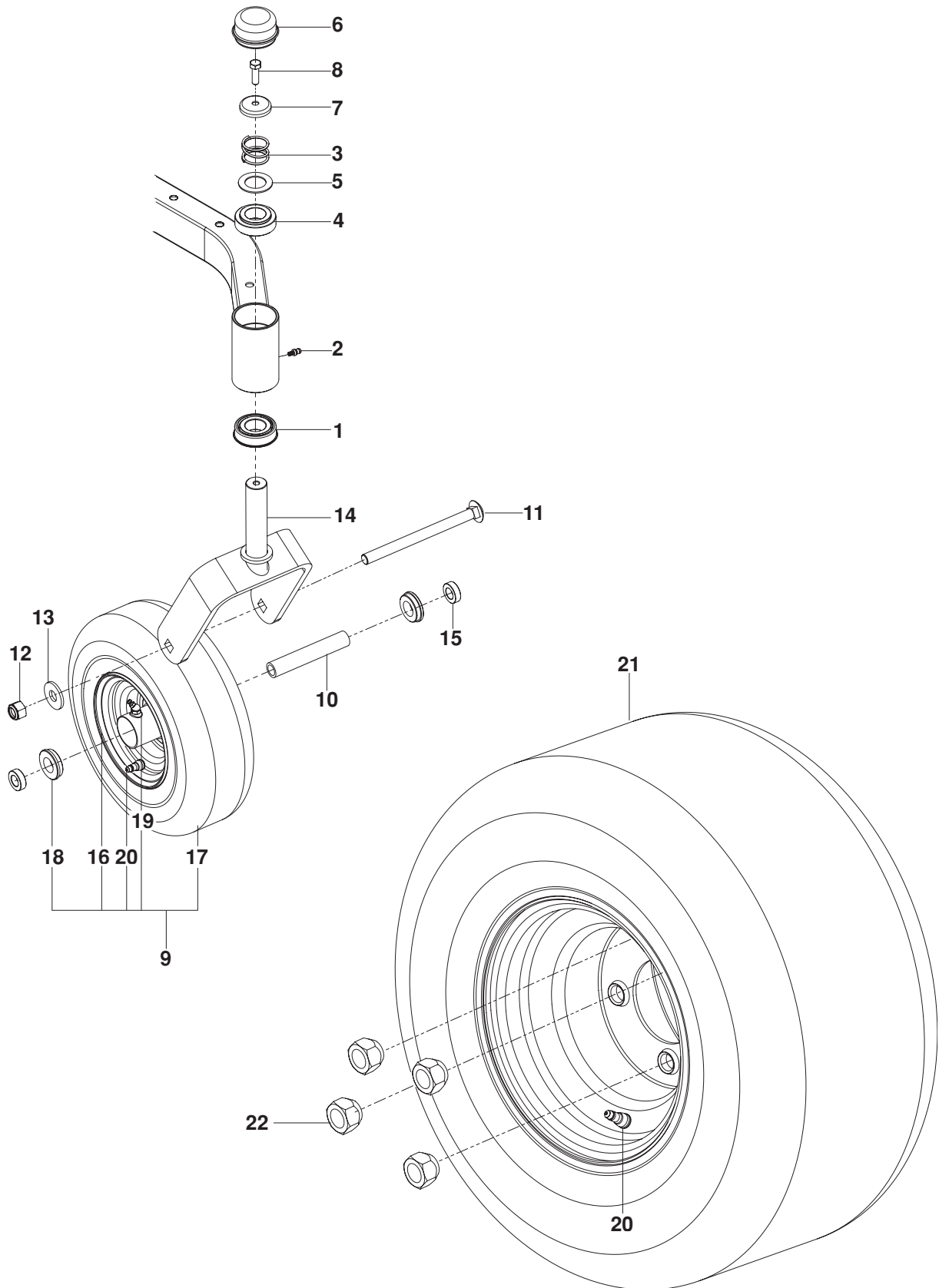
HYDRAULIC PUMP- MOTOR



HYDRAULIC PUMP- MOTOR

| ITEM | PART NO. | QTY. | DESCRIPTION | ITEM | PART NO. | QTY. | DESCRIPTION |
|------|----------------|--------|---|------|----------------|-------|---|
| 1.. | 510 375601.... | 1.... | EZT, LT | 22.. | 574 030501.... | 1.... | ROD, EZT BRAKE LT |
| 2.. | 510 375602.... | 1.... | EZT, RT | 23.. | 574 030502.... | 1.... | ROD, EZT BRAKE RT |
| 3.. | 510 184101.... | 2.... | SPACER TUBE | 24.. | 539 976934.... | 2.... | HCS $\frac{5}{16}$ -18 x $\frac{3}{4}$ |
| 4.. | 522 460702.... | 2.... | SUPPORT, EZT FRT | 25.. | 539 976977.... | 1.... | NUT 10-24 HEX NYLOC |
| 5.. | 510 185102.... | 2.... | MOUNT, EZT RR BLK | 26.. | 539 976978.... | 2.... | NUT $\frac{1}{4}$ -20 HEX NYLOC |
| 6.. | 539 101721.... | 4.... | HCS $\frac{5}{16}$ -18 x $2\frac{3}{4}$ | 27.. | 539 990055.... | 4.... | WASHER $\frac{1}{4}$ SAE FLT |
| 7.. | 539 990188.. | 18.... | WASHER $\frac{5}{16}$ SAE FLT | 28.. | 539 108535.... | 1.... | SCREW 10-24 x $\frac{3}{4}$ SLTD RD |
| 8.. | 539 990717.. | 10.... | NUT $\frac{5}{16}$ -18 HEX NYLOC | 29.. | 539 110342.... | 2.... | SPRING, BRAKE ROD |
| 9.. | 539 990637.... | 4.... | HCS $\frac{3}{8}$ -16 x $2\frac{1}{2}$ | 30.. | 539 976988.... | 2.... | HAIRPIN, COTTER |
| 10.. | 539 990118.... | 4.... | WASHER $\frac{3}{8}$ SPLT LK | 31.. | 539 120080.... | 2.... | COG, BRAKE DISC |
| 11.. | 539 990122.... | 8.... | WASHER $\frac{3}{8}$ SAE FLT | 32.. | 539 120079.... | 2.... | BRAKE ARM KIT |
| 12.. | 539 976938.... | 2.... | HCS $\frac{5}{16}$ -18 x $2\frac{1}{4}$ | 33.. | 539 120064.... | 2.... | HUB KIT |
| 13.. | 522 945001.... | 2.... | ROD, MOTION CONTROL | 34.. | 539 115617.... | 2.... | NUT $\frac{5}{16}$ -18 NYLOC INSERT |
| 14.. | 539 115729.... | 2.... | ROD END RT | 35.. | 539 110411.... | 1.... | BELT, EZT |
| 15.. | 539 116689.... | 2.... | COUPLER, ROD END | 36.. | 574 233801.... | 2.... | HHFS $\frac{5}{16}$ -18 x $2\frac{1}{4}$ |
| 16.. | 539 116690.... | 2.... | ROD END MALE LT | 37.. | 532 423062.... | 2.... | PALNUT $\frac{1}{4}$ |
| 17.. | 539 990223.... | 4.... | NUT $\frac{5}{16}$ -24 HEX | 38.. | 539 107631.... | 4.... | SCREW $\frac{1}{4}$ -20 x $\frac{5}{8}$ TRDROLL |
| 18.. | 539 991073.... | 1.... | NUT $\frac{5}{16}$ -24 HEX JAM LH | 39.. | 539 112899.... | 2.... | NUT $\frac{5}{16}$ -18 FLANGE NYLOC |
| 19.. | 539 990209.... | 2.... | HCS $\frac{5}{16}$ -18 x 1 | 40.. | 575 598102.... | 1.... | GUARD, DRIVE PULLEY |
| 20.. | 522 941101.... | 2.... | LINK ARM, BYPASS | 41.. | 575 622902.... | 1.... | BRACKET, GUARD |
| 21.. | 539 120785.... | 2.... | BLADE, FAN | | | | |

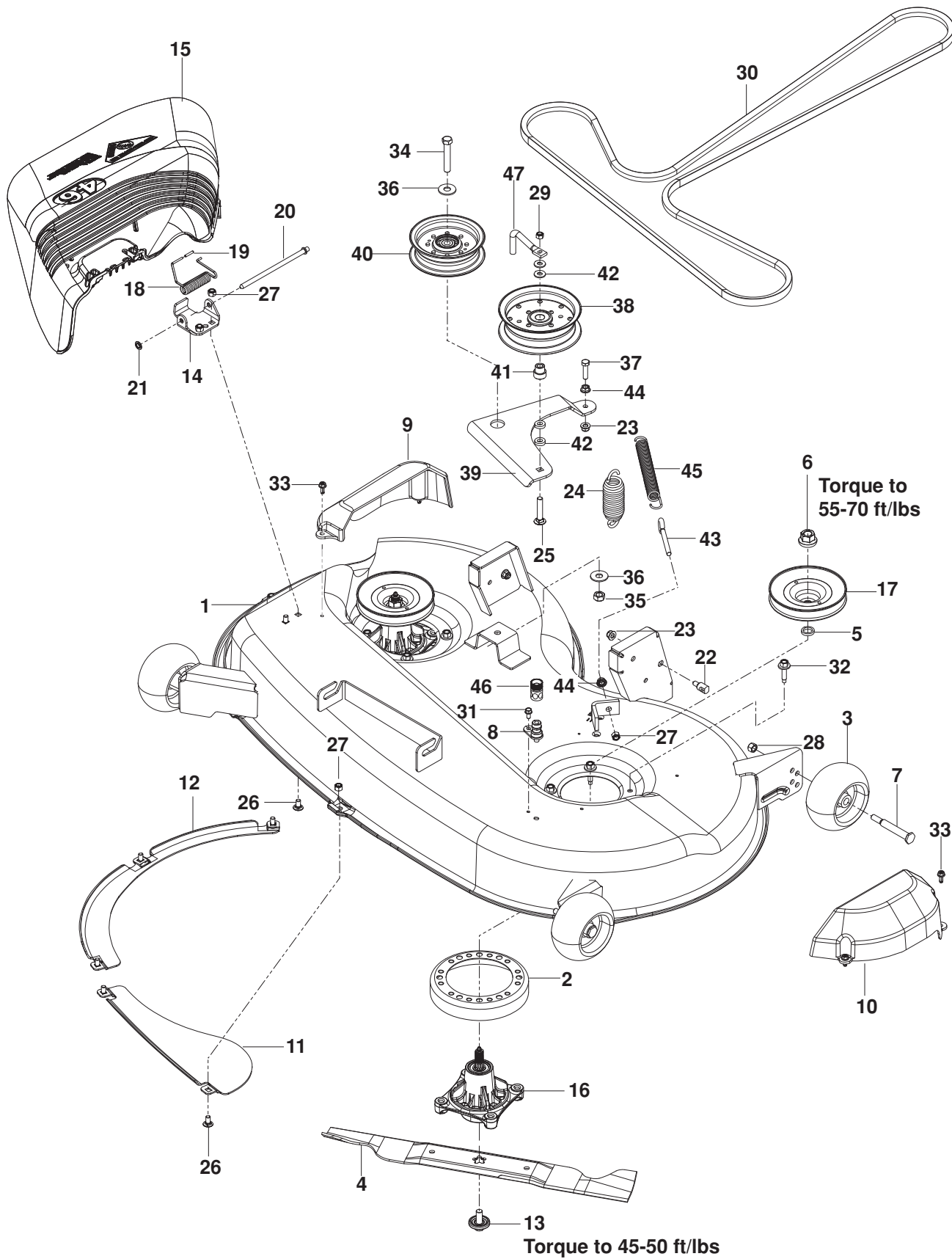
WHEELS AND TIRES



WHEELS AND TIRES

| ITEM | PART NO. | QTY. | DESCRIPTION | ITEM | PART NO. | QTY. | DESCRIPTION |
|------|----------------|-------|--------------------------|------|----------------|-------|--------------------------|
| 1.. | 539 112660.... | 2.... | BEARING, FLANGED | 12.. | 539 101331.... | 2.... | NUT ½-13 HEX NYLOC |
| 2.. | 539 115638.... | 2.... | ZERK ¾ DRIVE | 13.. | 539 109554.... | 2.... | WASHER ½ FLT |
| 3.. | 539 115747.... | 2.... | SPRING, CASTER | 14.. | 510 186501.... | 2.... | YOKE ORG |
| 4.. | 539 117901.... | 2.... | BUSHING, CASTER | 15.. | 539 114805.... | 4.... | SPACER ⅝ |
| 5.. | 539 115675.... | 2.... | WASHER | 16.. | 539 106994.... | 2.... | RIM |
| 6.. | 539 102535.... | 2.... | GREASE CAP | 17.. | 539 114697.... | 2.... | CASTER TIRE, 410-5 4 PLY |
| 7.. | 539 115749.... | 2.... | PLUG, CASTER | 18.. | 539 102484.... | 4.... | BEARING, FLANGED |
| 8.. | 539 115566.... | 2.... | BOLT, HEX ⅝-18 x 1 NYLOC | 19.. | 539 103300.... | 2.... | ZERK |
| 9.. | 516 001901.... | 2.... | CASTER TIRE ASSY | 20.. | 539 912234.... | 4.... | VALVE STEM |
| 10.. | 539 105543.... | 2.... | SPACER | 21.. | 539 110470.... | 2.... | WHEEL ASSY, REAR |
| 11.. | 539 121159.... | 2.... | RHSNB ½-13 x 6½ | 22.. | 539 101173.... | 8.... | NUT, LUG ½ |

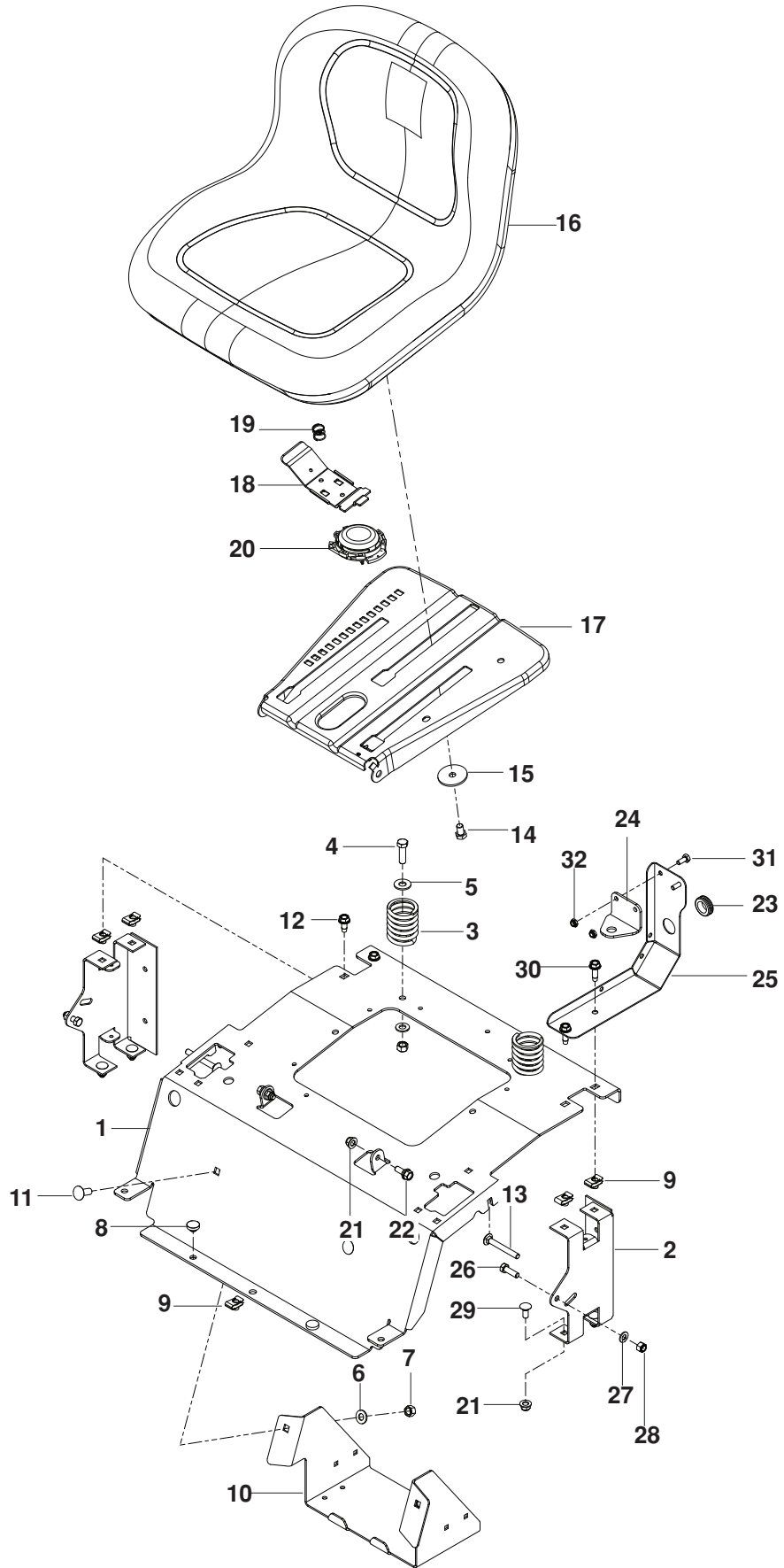
MOWER DECK / CUTTING DECK



MOWER DECK / CUTTING DECK

| ITEM | PART NO. | QTY. | DESCRIPTION | ITEM | PART NO. | QTY. | DESCRIPTION |
|------|----------------|-------|--------------------------------------|------|----------------|-------|---|
| 1.. | 522 744301.... | 1.... | DECK w/ SAFETY DECALS | 25.. | 539 128101.... | 1.... | BOLT $\frac{3}{8}$ -16 x 2 $\frac{1}{2}$ CARRIAGE |
| 2.. | 539 107518.... | 2.... | STRIPPER, UNIVERSAL | 26.. | 539 990316.... | 7.... | BOLT $\frac{5}{16}$ -18 x $\frac{3}{4}$ RD HD |
| 3.. | 539 107610.... | 3.... | WHEEL, GAUGE | 27.. | 539 990717.... | 8.... | NUT $\frac{5}{16}$ -18 HEX NYLOC |
| 4.. | 532 405380.... | 2.... | BLADE, HI-LIFT | 28.. | 539 976979.... | 3.... | NUT $\frac{3}{8}$ -16 HEX NYLOC |
| 5.. | 539 107520.... | 2.... | WASHER, SPACER | 29.. | 539 200282.... | 1.... | NUT $\frac{3}{8}$ -16 HEX NYLOC, JAM |
| 6.. | 539 107590.... | 2.... | NUT $\frac{9}{16}$ TOP CNTRLK | 30.. | 539 117245.... | 1.... | BELT, DECK |
| 7.. | 539 107608.... | 3.... | BOLT, SHOULDER | 31.. | 539 108461.... | 1.... | BOLT $\frac{1}{4}$ -20 x $\frac{1}{2}$ HWST |
| 8.. | 532 415598.... | 1.... | WASHOUT PORT | 32.. | 539 107630.... | 8.... | SCREW $\frac{5}{16}$ -18 x WSH HD |
| 9.. | 532 405506.... | 1.... | SHIELD, BELT RH | 33.. | 539 107631.... | 4.... | SCREW $\frac{1}{4}$ -20 x $\frac{5}{8}$ TRDROLL |
| 10.. | 532 405507.... | 1.... | SHIELD, BELT LH | 34.. | 539 104870.... | 1.... | BOLT, HEX HD $\frac{7}{16}$ -14 x 2 $\frac{1}{2}$ |
| 11.. | 532 403149.... | 1.... | BAFFLE, FRONT | 35.. | 539 119124.... | 1.... | NUT $\frac{7}{16}$ -14 HEX NYLOC |
| 12.. | 532 403150.... | 1.... | BAFFLE, FRONT RH | 36.. | 539 104864.... | 2.... | WASHER $\frac{7}{16}$ |
| 13.. | 532 193003.... | 2.... | BOLT, WASHER | 37.. | 539 990627.... | 1.... | BOLT $\frac{5}{16}$ -18 x 1 $\frac{1}{4}$ HEX HD |
| 14.. | 532 192557.... | 1.... | BRACKET, DEFLECTOR | 38.. | 539 132728.... | 1.... | PULLEY, IDLER |
| 15.. | 532 405357.... | 1.... | SHIELD, DEFLECTOR | 39.. | 574 689002.... | 1.... | ARM, IDLER |
| 16.. | 539 107515.... | 2.... | CUTTER HOUSING | 40.. | 532 196104.... | 1.... | PULLEY, IDLER SPEC. HUB |
| 17.. | 539 113962.... | 2.... | PULLEY, DECK | 41.. | 539 112076.... | 1.... | IDLER BUSHING |
| 18.. | 539 107609.... | 1.... | SPRING, TORSION | 42.. | 539 109562.... | 4.... | WASHER $\frac{3}{8}$ |
| 19.. | 539 107627.... | 1.... | CAP, SLEEVE | 43.. | 539 115574.... | 1.... | EYE BOLT $\frac{5}{16}$ x 3 $\frac{1}{2}$ |
| 20.. | 539 110462.... | 1.... | ROD, HINGE | 44.. | 539 990585.... | 2.... | NUT $\frac{5}{16}$ -18 HEX WHIZLK |
| 21.. | 539 107626.... | 1.... | PUSHNUT | 45.. | 539 120920.... | 1.... | SPRING, DECK BELT |
| 22.. | 532 195161.... | 2.... | STUD w/ ANTI-ROTATE | 46.. | 532 416405.... | 1.... | COUPLING, CONNECT |
| 23.. | 539 112899.... | 3.... | NUT $\frac{5}{16}$ -18 HEX FLG NYLOC | 47.. | 522 629701.... | 1.... | BELT KEEPER |
| 24.. | 539 118762.... | 1.... | SPRING | | | | |

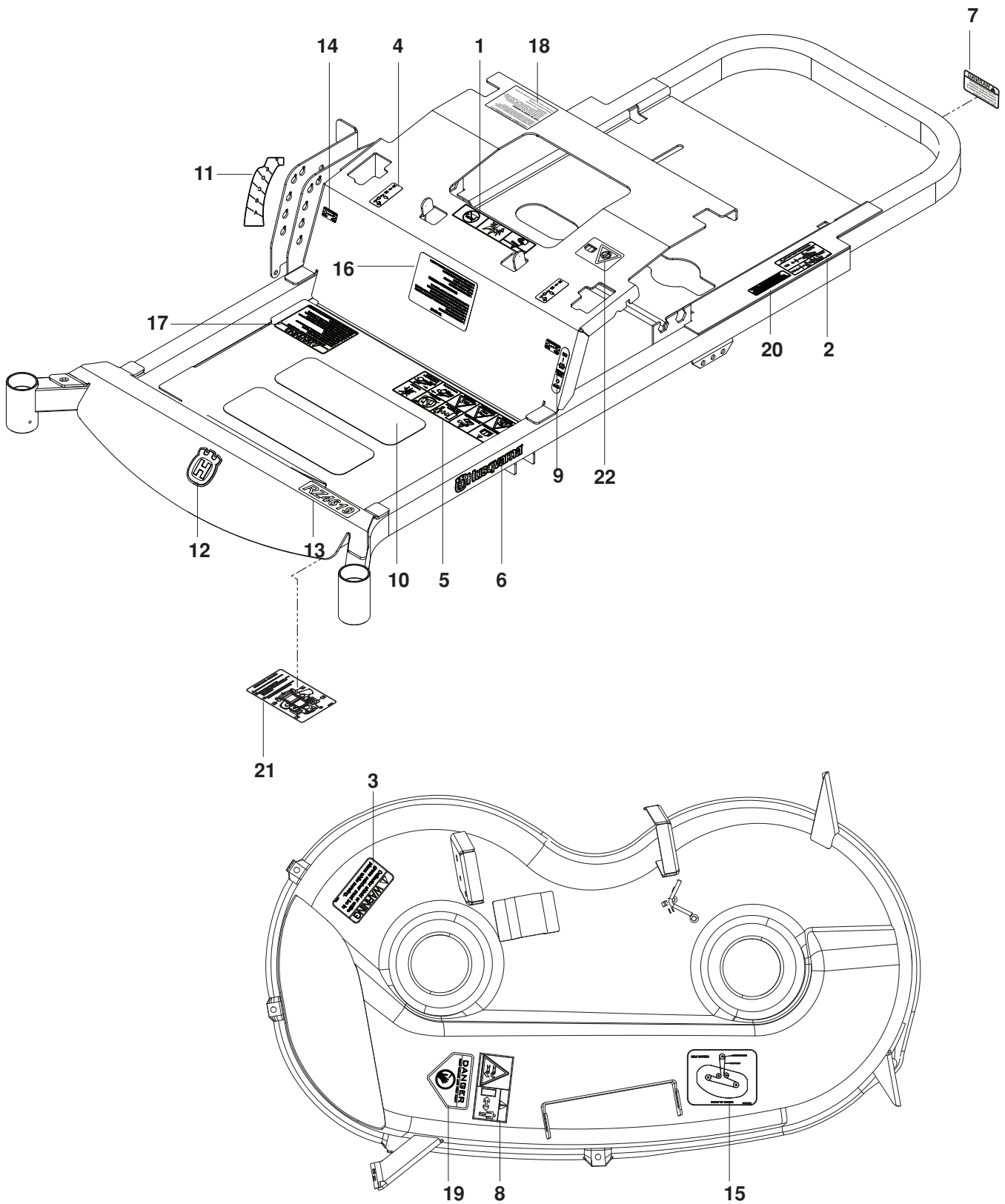
SEAT



SEAT

| ITEM | PART NO. | QTY. | DESCRIPTION | ITEM | PART NO. | QTY. | DESCRIPTION |
|------|----------------|-------|---|------|----------------|-------|--|
| 1.. | 510 171903.... | 1.... | SUPPORT, SEAT ORG | 17.. | 532 196977.... | 1.... | SEAT PAN |
| 2.. | 574 522702.... | 2.... | SUPPORT, SEAT RR BLK | 18.. | 532 197661.... | 1.... | HANDLE, SLIDE, SEAT |
| 3.. | 539 110300.... | 2.... | SPRING, SEAT | 19.. | 532 198200.... | 1.... | SPRING, LATCH SEAT |
| 4.. | 539 976941.... | 2.... | HCS $\frac{3}{8}$ -16 x $1\frac{1}{4}$ | 20.. | 539 132140.... | 1.... | SWITCH, SEAT |
| 5.. | 539 990517.... | 2.... | WASHER $\frac{3}{8}$ STD FLT | 21.. | 539 112899.... | 6.... | NUT $\frac{5}{16}$ -18 FLANGE NYLOC |
| 6.. | 539 990122.... | 4.... | WASHER $\frac{3}{8}$ SAE FLT | 22.. | 539 110303.... | 2.... | BOLT $\frac{5}{16}$ SHOULDER |
| 7.. | 539 976979.... | 4.... | NUT $\frac{3}{8}$ -16 HEX NYLOC | 23.. | 539 110433.... | 1.... | GROMMET |
| 8.. | 539 102587.... | 2.... | GROMMET, BUMPER | 24.. | 575 296902.... | 1.... | BRACKET, VALVE BLK |
| 9.. | 539 104763.... | 5.... | RETAINER, U TYPE | 25.. | 575 328002.... | 1.... | MOUNT, VALVE BLK |
| 10.. | 510 231302.... | 1.... | BOX, BATTERY BLK | 26.. | 539 990209.... | 2.... | HCS $\frac{5}{16}$ -18 x 1 |
| 11.. | 539 990645.... | 2.... | RHSNB $\frac{3}{8}$ -16 x 1 | 27.. | 539 990188.... | 2.... | WASHER $\frac{5}{16}$ SAE FLAT |
| 12.. | 539 107475.... | 2.... | BOLT $\frac{5}{16}$ -18 x $\frac{3}{4}$, THD FRM | 28.. | 539 990717.... | 2.... | NUT $\frac{5}{16}$ -18 HEX NYLOC |
| 13.. | 510 422701.... | 2.... | RHSNB $\frac{5}{16}$ -18 x $2\frac{1}{2}$ | 29.. | 539 990316.... | 4.... | RHSNB $\frac{5}{16}$ -18 x $\frac{3}{4}$ |
| 14.. | 539 108503.... | 1.... | HCS $\frac{3}{8}$ -16 x $\frac{5}{8}$ | 30.. | 539 113226.... | 2.... | BOLT $\frac{5}{16}$ -18 x 1 THD FRM |
| 15.. | 539 111897.... | 1.... | WASHER $\frac{3}{8}$ SPECIAL | 31.. | 539 108499.... | 2.... | HCS $\frac{1}{4}$ -20 x $\frac{5}{8}$ |
| 16.. | 532 424068.... | 1.... | SEAT | 32.. | 539 108120.... | 2.... | NUT $\frac{1}{4}$ -20 HEX NYLOC THIN |

DECALS



DECALS

| ITEM | PART NO. | QTY. | DESCRIPTION | ITEM | PART NO. | QTY. | DESCRIPTION |
|------|----------------|-------|------------------------|------|----------------|-------|-------------------------|
| 1.. | 539 105745.... | 1.... | DECAL, BATTERY WARNING | 12.. | 532 422011.... | 1.... | DECAL, CROWN |
| 2.. | 539 108385.... | 1.... | DECAL, DO NOT TOW | 13.. | 521 949312.... | 1.... | DECAL, RZ4619 |
| 3.. | 539 113224.... | 1.... | DECAL, DISCHARGE | 14.. | 539 110974.... | 1.... | DECAL, FST |
| 4.. | 539 103333.... | 2.... | DECAL, MOTION CONTROL | 15.. | 510 240201.... | 1.... | DECAL, BELT ROUTING |
| 5.. | 539 109908.... | 1.... | DECAL, WARNING | 16.. | 539 108179.... | 1.... | DECAL, START |
| 6.. | 532 422012.... | 1.... | DECAL, HUSQVARNA | 17.. | 539 113213.... | 1.... | DECAL. SAFETY |
| 7.. | 539 101881.... | 2.... | DECAL, EXHAUST | 18.. | 539 110522.... | 1.... | DECAL, RESPONSIBILITIES |
| 8.. | 539 105746.... | 1.... | DECAL, SEVERING | 19.. | 539 913010.... | 1.... | DECAL, BLADES |
| 9.. | 539 120006.... | 1.... | DECAL, PARK BRAKE | 20.. | 532 424102.... | 1.... | DECAL, SPARK ARREST |
| 10.. | 539 977778.... | 2.... | ABRASIVE PAD | 21.. | 539 109897.... | 1.... | DECAL, SERVICE |
| 11.. | 521 980501.... | 1.... | DECAL, HEIGHT | 22.. | 539 108386.... | 1.... | DECAL, EXIT |

